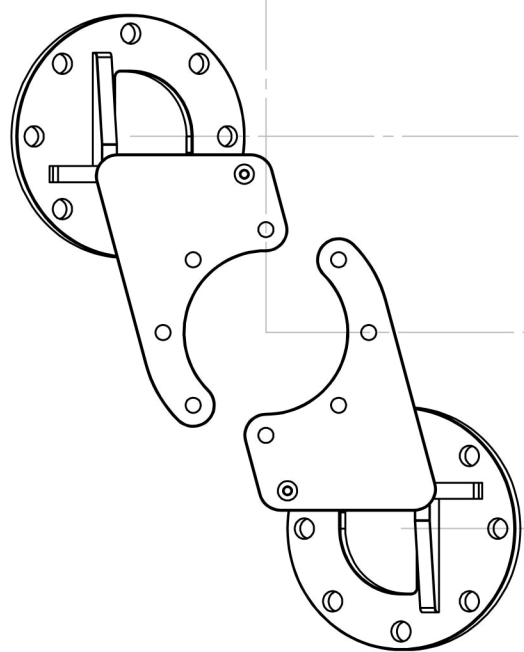


Acoustic Centre - STB (X,Z-axis)

Acoustic Centre - PS (X,Z-axis)



Acoustic Centre (Y-axis)

UNLESS OTHERWISE SPECIFIED:  
DIMENSIONS ARE IN MILLIMETERS  
SURFACE FINISH:  
TOLERANCES:  
LINEAR:  
ANGULAR:

FINISH:

DEBUR AND  
BREAK SHARP  
EDGES

DO NOT SCALE DRAWING

REVISION

	NAME	SIGNATURE	DATE		
DRAWN					
CHK'D					
APPV'D					
MFG					
Q.A				MATERIAL:	
				WEIGHT:	

TITLE:		DH2024 - 20deg - MKII - Offsets	
DWG NO.			A4
SCALE:1:10		SHEET 1 OF 1	